



PRODUCT CATALOGUE  
2021 - 2022



THE  
ULTIMATE  
IN LUXURY HOSPITALITY

WITH BRAND NEW IDEAS.

# INDEX

06  
MINIBAR

14  
SAFE BOX

19  
TEA STATION

33  
HAIRDRYER

38  
IRONING STATION

44  
ALARM CLOCK

49  
LUGGAGE RACK

54  
ROOM BINS

60  
BATHROOM SCALE

65  
MIRROR

68  
ACCESSORIES



**EXPLORE  
OUR RANGE OF  
DESIGNER PRODUCTS**



## ABOUT US

ROOMWELL is a British brand that has won awards for designing and manufacturing high-end hospitality products; it happens to be the addition of luxury, durability, and style, completing your hotel rooms. Offering a wide range of amazing hotel room products, ROOMWELL has created perfection with the combination of Safety, Technology, Style, and Ease, helping you customize your hotel rooms to attain the highest standards of comfort and ensuring your guest's stay to be pleasant and memorable.

Serving worldwide and designing to ensure the guest experience to be exclusive, ROOMWELL offers a variety of hotel room essentials: mirrors, kettles, hairdryers, hotel safes, trays, alarm clocks, ironing amenities, minibars, and a lot more.

We manufacture hospitality products to the brink of perfection, guaranteeing your hotel rooms to be Safe, Elegant, and Deluxe. At the core of our designing and manufacturing processes lies Safety, Durability, Sustainability, and Elegance, constantly enhancing the guest experience by all means.

We are a reputable brand in the hospitality industry, equally recognized and valued for our satisfying after-sales services, and known to pamper our customers by offering any and all sorts of competitions.

Your Guests Deserve Only The Best, Your Guests Deserve ROOMWELL!



## *Innovative Designs*

Our innovation and design truly makes a difference to your hotel rooms. All the Roomwell products are designed with an eye for detail. When we design, we always put functionality and design in the first place. With our products, we aspire to make a unique contribution by creating attractive hotel rooms

## *British Design & Technology*

Roomwell's special technical features and accessories have been studied and developed in-house. Our product developers ensure that products are designed specific to the market, following feedback and input from the world's leading housekeepers and hoteliers. Exclusive accessories such as Battery-free scale, Retractable Ironing Board, and Arrange Welcome Tray; distinguish our products, making them unique on the market.





## *ECO-Design*

Roomwell products are made to minimize their impact on the planet. Kettles, which come in smaller sizes help to reduce water usage, minibars are fitted with a heat absorption system that generates no green- house gases, and trays made of FSC certified wood (from sustainably managed forests). From packaging to power consumption, each detail is carefully conceived to preserve the environment. With paper and energy usage reduced as much as possible, fewer components, and a low wattage required to switch them on, our products are eco-responsibly designed and produced.

## *2 - 5 Years Warranty*

All Roomwell products come with a minimum of 2-year to a maximum of a 5-year warranty. We are convinced of the quality of our products, so we guarantee fast and correct after-sales services.









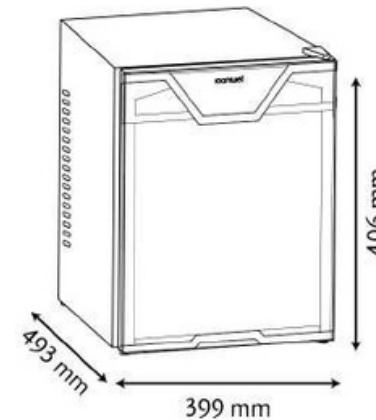
# MINIBAR



## HI-COOL minibar MBH4130S/G

HI-COOL MINIBAR COMBINES CONTEMPORARY STYLE WITH CUTTING-EDGE SILENT ABSORPTION TECHNOLOGY

- 2nd Generation Advanced Absorption Cooling Technology
- Noiseless Operation. No Fan and No vibration
- Two removable and adjustable tempered glass shelves with stoppers to expand the storage space and make the fridge easy to clean.
- CFC/HCFC Free Thermal Insulation with ultra-cooling efficiency
- Stocking capacity of up to 24 facings
- Intelligent Automatic Defrost Function
- Strong reversible door hinges, convertible to either left or right side
- Three-Layer tempered glass door structure with Argon gas-filled for better insulation with good cold preservation
- The door is made with magnetic seals to keep it perfectly closed
- Concealed Thermal Regulator for convenient adjustment and preventing customer changing the setting arbitrarily
- Soft LED Interior Light for more visibility
- Integrated Door Handles
- Free Standing or can be inserted into existing furniture
- Outer Body – Black Color & Inner Body – White Color

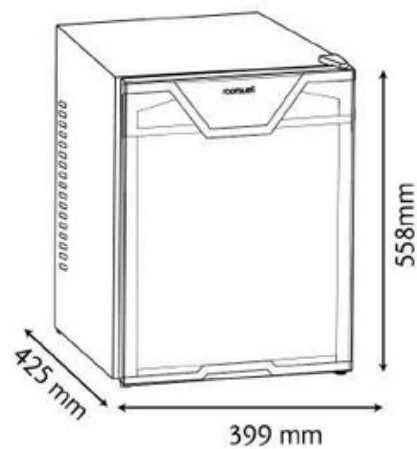


**30**  
**LITER**

## HI-COOL minibar MBH4140S/G

HI-COOL MINIBAR COMBINES CONTEMPORARY STYLE WITH CUTTING-EDGE SILENT ABSORPTION TECHNOLOGY

- II Generation Advanced Absorption Cooling Technology
- Noiseless Operation. No Fan and No vibration
- Two removable and adjustable tempered glass shelves with stoppers, expand the storage space and make the fridge easy to clean.
- CFC/HCFC Free Thermal Insulation with ultra-cooling efficiency
- Stocking capacity of up to 36 facings
- Intelligent Automatic Defrost Function
- Strong reversible door hinges, convertible to either left or right side
- Three-Layer tempered glass door structure with Argon gas-filled with good cold preservation
- The door is made with magnetic seals to keep it perfectly closed
- Concealed Thermal Regulator for convenient adjustment and preventing customer changing the setting arbitrarily
- Soft LED Interior Light for more visibility
- Integrated Door Handles
- Free Standing or can be inserted into existing furniture
- Outer Body – Black Color & Inner Body – White Color



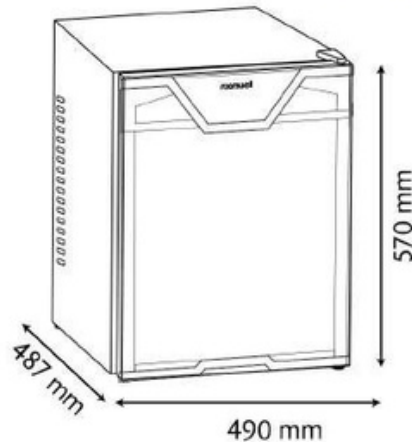
40  
LITER



## HI-COOL minibar MBH4160S/G

HI-COOL MINIBAR COMBINES CONTEMPORARY STYLE WITH CUTTING-EDGE SILENT ABSORPTION TECHNOLOGY

- II Generation Advanced Absorption Cooling Technology
- Noiseless Operation. No Fan and No vibration
- Two removable and adjustable tempered glass shelves with stoppers, expand the storage space and make the fridge easy to clean.
- CFC/HCFC Free Thermal Insulation with ultra-cooling efficiency
- Stocking capacity of up to 48 facings
- Intelligent Automatic Defrost Function
- Strong reversible door hinges, convertible to either left or right side
- Three-Layer tempered glass door structure with Argon gas-filled with good cold preservation
- The door is made with magnetic seals to keep it perfectly closed
- Concealed Thermal Regulator for convenient adjustment and preventing customer changing the setting arbitrarily
- Soft LED Interior Light for more visibility
- Integrated Door Handles
- Free Standing or can be inserted into existing furniture
- Outer Body – Black Color & Inner Body – White Color



60  
LITER

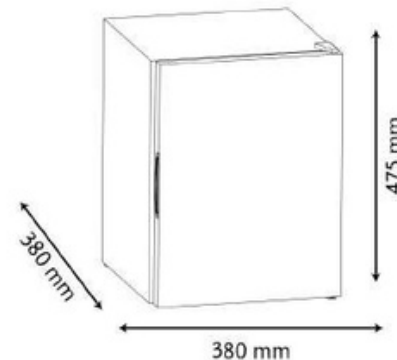




## THERMO MINIBAR minibar MBT4030S/G

ENVIRONMENTALLY SUPERIOR CYCLOPENTANE THERMOELECTRIC TECHNOLOGY, COMBINED WITH LOW ENERGY CONSUMPTION, MULTI-FUNCTIONAL DOOR RACKS AND TOTALLY SILENT OPERATION

- Advanced & Environmentally Friendly Thermoelectric Cooling Technology
- Quiet operation. No Fan and No vibration
- Two removable & adjustable shelves expand the storage space and make the fridge easy to clean
- Thermal insulation manufactured with Superior Cyclopentane
- Insulation free of CFC/HCFC
- Stocking capacity of up to 18 - 24 facings
- Fully Automatic Defrost Function
- Lower Energy Consumption than Absorption Systems
- Strong reversible door hinges, convertible to either left or right side
- Foaming Solid Door with two adjustable transparent racks
- The door is made with magnetic seals to keep it perfectly closed
- Easily Adjustable Electronic Thermostat for Ideal Temperature Control
- Soft LED Interior Light for more visibility
- Integrated Door Handles
- Free Standing or can be inserted into existing furniture- Outer Body
- Outer Body - Black Color & Inner Body - White Color



**30**  
LITER





MBT4040G

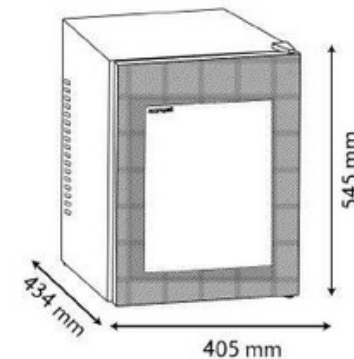


## THERMO MINIBAR minibar MBT4040

ENVIRONMENTALLY SUPERIOR CYCLOPENTANE THERMOELECTRIC TECHNOLOGY, COMBINED WITH LOW ENERGY CONSUMPTION, MULTI-FUNCTIONAL DOOR RACKS AND TOTALLY SILENT OPERATION

- Advanced & Environmentally Friendly Thermoelectric Cooling Technology
- Quiet operation. No Fan and No vibration
- Two removable & adjustable shelves expand the storage space and make the fridge easy to clean
- Thermal insulation manufactured with Superior Cyclopentane
- Insulation free of CFC/HCFC
- Stocking capacity of up to 24 - 32 facings
- Fully Automatic Defrost Function
- Lower Energy Consumption than Absorption Systems
- Strong reversible door hinges, convertible to either left or right side
- Foaming Solid Door with two adjustable transparent racks
- The door is made with magnetic seals to keep it perfectly closed
- Easily Adjustable Electronic Thermostat for Ideal Temperature Control
- Soft LED Interior Light for more visibility
- Integrated Door Handles
- Free Standing or can be inserted into existing furniture- Outer Body
- Outer Body - Black Color & Inner Body - White Color

MBT4040S



40  
LITER

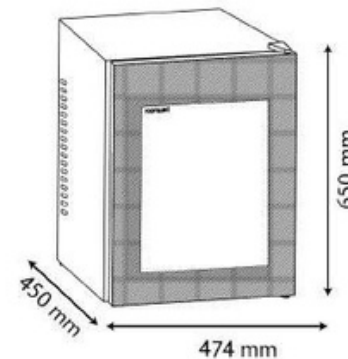




## THERMO MINIBAR minibar MBT4060S/G

ENVIRONMENTALLY SUPERIOR CYCLOPENTANE THERMOELECTRIC TECHNOLOGY, COMBINED WITH LOW ENERGY CONSUMPTION, MULTI-FUNCTIONAL DOOR RACKS AND TOTALLY SILENT OPERATION

- Advanced & Environmentally Friendly Thermoelectric Cooling Technology
- Quiet operation. No Fan and No vibration
- Two removable & adjustable shelves expand the storage space and make the fridge easy to clean
- Thermal insulation manufactured with Superior Cyclopentane
- Insulation free of CFC/HCFC
- Stocking capacity of up to 36 to 42 facings
- Fully Automatic Defrost Function
- Lower Energy Consumption than Absorption Systems
- Strong reversible door hinges, convertible to either left or right side
- Foaming Solid Door with two adjustable transparent racks
- The door is made with magnetic seals to keep it perfectly closed
- Easily Adjustable Electronic Thermostat for Ideal Temperature Control
- Soft LED Interior Light for more visibility
- Integrated Door Handles
- Free Standing or can be inserted into existing furniture- Outer Body
- Outer Body - Black Color & Inner Body - White Color



**60**  
LITER









# SAFE BOX

# PREMIUM safe box SB4117

DURABILITY, FLEXIBILITY, AND MAXIMISED IN-ROOM CONVENIENCE

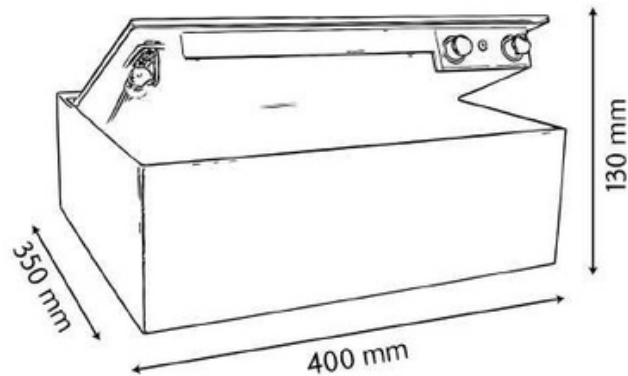
- Specially designed for hotel guests to accommodate laptops up to 17"
- Elegant curve safe box body with laser-cut front panel
- Features two live-locking bolts, steel construction, concealed hinges, and bolt down hardware
- Audit trail function. The last 130 opening records can be printed by CEU (sold separately)
- 20 mm solid bolt locking mechanism
- The programmable digital lock offers you to choose your personalized combination
- Pry resistant door and dual live bolts ensure optimal protection
- User code 4-6 digit for guest and master code for hotel management
- Interior carpet to protect guest's valuables
- LED light inside for clear visibility
- Security lockout for 15 minutes after 3 failed attempts
- Low battery warning and battery auto check-up
- Powered with four (4) AA batteries



## TOP-OPEN safe box SBTO9231

MOUNTED IN LARGE DRAWERS, ON NIGHTSTANDS, INSIDE CLOSETS, OR ANYWHERE IN THE ROOM THAT IS MOST ACCESSIBLE

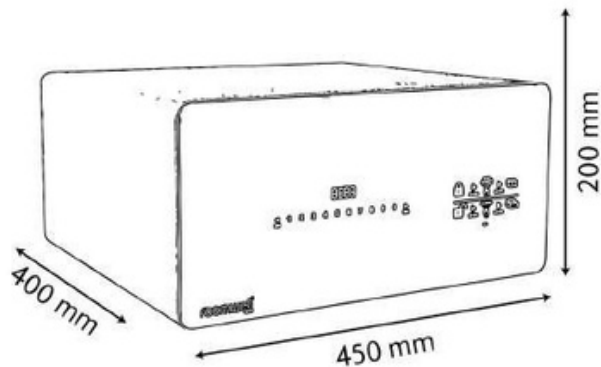
- Top-Open design, Advance Touch Keypad input built with durable steel, tamper-resistant edges, and 2 built-in pry-resistant steel locking bolts
- 20 mm solid bolt locking mechanism
- Fits most 15" notebook computers
- Audit trail allows you to read the last 130 opening records via CEU (sold separately)
- Programmable digital lock offers you to choose your personalized combination
- Convenient Top-open allows your guests an easy access to the valuable stored
- Bolt-down pre-drilled hole – two at the bottom and two in the back panel
- The top-open safe can be mounted in large drawers, on nightstands, inside closets, or anywhere in the room that is most accessible to your guests and easy to use
- User code 4-6 digit for guest and master code for hotel management
- Interior carpet to protect guest's valuables
- LED light inside for clear visibility
- Security lock out for 15 minutes after 3 failed attempts
- Low battery warning and battery auto check-up
- Powered with four (4) AA batteries



# DRAWER PULL OUT safe box SBDR9232

SOPHISTICATED TECHNOLOGY AND FASHIONABLE DESIGN WITH A GLASS FRONT AND ADVANCED TOUCH KEYPAD INPUT

- Unique Drawer Safe Design with Advance Touch Keypad input
- Nice Curve Body shape and Elegant black glass door
- Fits most 15" notebook computers
- Built with durable steel, tamper-resistant edges, and 2 built-in pry-resistant steel locking bolts
- 20 mm solid bolt locking mechanism
- Audit trail allows you to read the last 130 opening records via CEU (sold separately)
- Programmable digital lock offers you to choose your personalized combination
- Convenient Drawer-open allows your guests an easy access to the valuable stored
- Bolt-down Four pre-drilled hole at the bottom of the safe box
- The Drawer safe box can be mounted in large drawers, inside closets, or anywhere in the room for convenient accessibility to your guests and easy to use
- User code 4-6 digit for guest and master code for hotel management
- Interior carpet to protect guest's valuables
- LED light inside for clear visibility
- Security lock out for 15 minutes after 3 failed attempts
- Low battery warning and battery auto check-up
- Powered with four (4) AA batteries







# TEA STATIONS

# NOVA 0.6L kettle

CORDLESS, STAINLESS STEEL KETTLE. BOIL DRY PROTECTION & AUTO SHUT OFF, STRIX UK CONTROLLER

- 1000W kettle with 0.6litre capacity
- Made from #304 brushed finish stainless steel
- Strix UK controller to ensure precise temperature control while assuring safety
- Auto shut-off to turn the kettle off automatically when the water is boiled
- Boil dry protection to avoid dry boiling when the water level is too low, to ensure safety and save power
- Concealed heating element
- Integrated heating element
- 360° rotational cordless kettles, for left and right-handed use
- CE, CB, RoHS & GS Approved



EKNO8777B



EKNO8777W

 **2 YEAR WARRANTY**



Easy Opening



Auto shut off



Strix UK controller



Concealed heating element



360° cordless kettle



#304 stainless steel

# ECOLINE S/S 0.5L KETTLE EKEC4119

ECO-FRIENDLY ELECTRIC KETTLE 800W, 0.5L, CORDLESS, STAINLESS STEEL KETTLE. BOIL DRY PROTECTION & AUTO SHUT OFF. STRIX UK CONTROLLER.

- Energy Efficient 800W kettle with 0.5 litre capacity
- Made from #304 brushed finish stainless steel
- Smudge-Proof™ Protective is coating to make it completely fingerprint resistant and easy to clean
- Strix UK controller to ensure precise temperature control while assuring safety
- Auto shut-off to turn the kettle off automatically when the water is boiled
- Boil dry protection to avoid dry boiling when the water level is too low, to ensure safety and save power
- Concealed heating element
- The cool handle of the kettle is always comfortable when you are pouring
- Integrated heating element
- 360° rotational cordless kettles, for left and right-handed use
- CE, CB, RoHS & GS Approved

 **2 YEAR WARRANTY**



Concealed heating element



360° cordless kettle



Brushed Stainless Steel  
Finger print resistant



Auto shut off  
Boil dry protection



Press button  
opening lid



# REGENT S/S 1.0L KETTLE EKRE4118

1.0L CORDLESS, STAINLESS STEEL KETTLE, BOIL DRY PROTECTION & AUTO SHUT OFF. STRIX UK CONTROLLER.



- 1500W kettle with 1.0 litre capacity
- Made from #304 brushed finish stainless steel
- Smudge-Proof™ Protective coating to make it completely fingerprint resistant and easy to clean
- Strix UK controller to ensure precise temperature control while assuring safety
- Water Level Indicator – The clear middle window shows the water level clearly
- Auto shut-off to turn the kettle off automatically when the water is boiled
- Boil dry protection to avoid dry boiling when the water level is too low, to ensure safety and save power
- Concealed heating element
- The cool handle of the kettle is always comfortable when you are pouring
- Integrated heating element
- 360° rotational cordless kettle for left and right-handed use
- CE, CB, RoHS & GS Approved



 **3 YEAR WARRANTY**



Easy Opening



Auto shut off



Water level indicator



Concealed heating element



360° cordless kettle



Finger print resistant

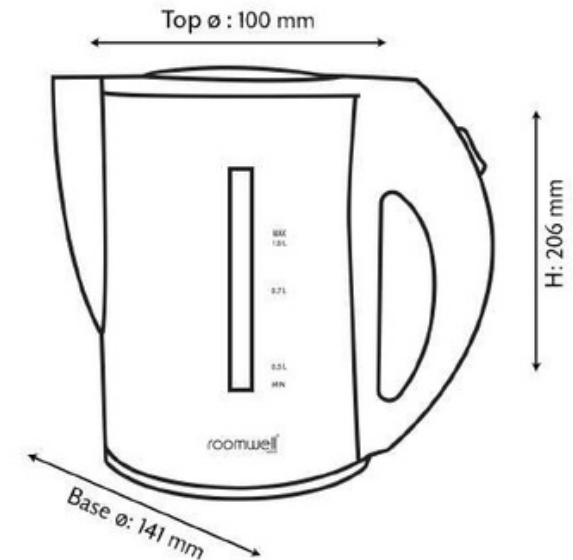
# OLYMPIA 1.0L KETTLE EKOL4117

STAINLESS STEEL KETTLE, BOIL DRY PROTECTION & AUTO SHUT OFF.



- 2000W kettle with 1.0 litre capacity
- Made from heat resistant plastic housing with Stainless Steel casing
- Water Level Indicator – The clear middle window shows the water level clearly
- Auto shut-off to turn the kettle off automatically when the water is boiled
- Boil dry protection to avoid dry boiling when the water level is too low, to ensure safety and save power
- Concealed heating element
- 360° rotational cordless kettle for left and right-handed use
- CE & CB Approved

 **3 YEAR WARRANTY**



Stainless Steel casing



Easy Opening



Water level indicator



Concealed heating element



360° cordless kettle

# ESPRESSO Coffee Machine ECM4001

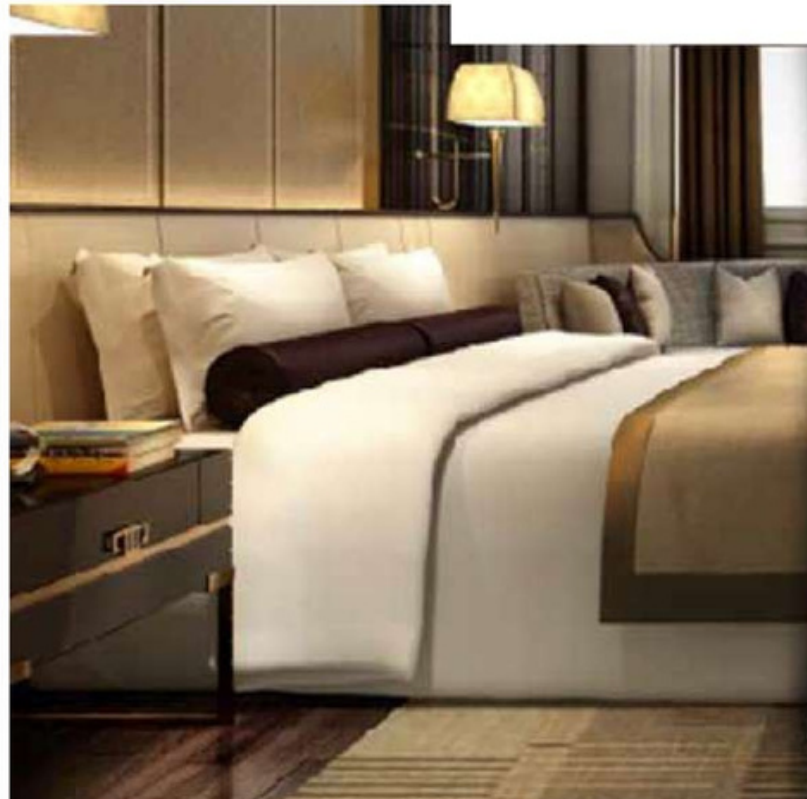
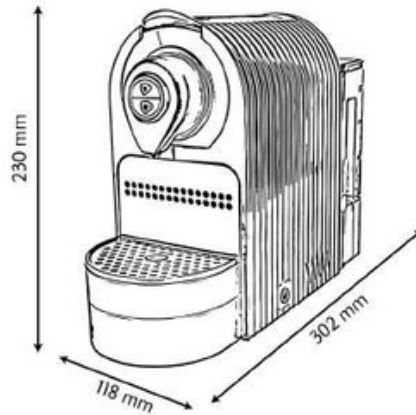
ADD SOME STYLE TO YOUR GUEST ROOMS, WITH OUR EASY TO CLEAN ESPRESSO COFFEE MACHINE

- Automatic ejection system with collection container up to 10pcs
- Two buttons for espresso(short). Lungo(long) 25ml/40ml
- All Button cup sizes are reprogrammable with precise flow meter control
- Exclusive suction feet to keep machine steady
- Instant heating Thermo-block for fast brewing
- Removable drip tray for a tall glass
- Removable water tank
- Energy-saving system: auto-off in 8 min when idle
- Compatible for espresso/Lavazza point/Lavazza Blue Compatible capsules



#### Dimensions:

Tank Capacity	: 800 ml
Electrical insulation	: Class 1
Power	: 1400 W
Input Voltage	: 220 - 240 V
Input Frequency	: 50Hz
Plugs	: EU & BS
Color	: Black
Cord length	: 110 mm
Weight	: 3.1 kg

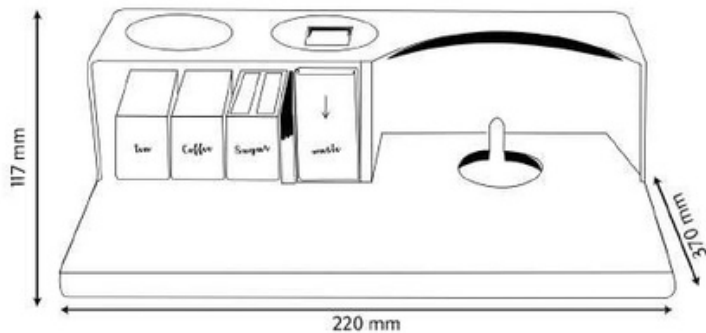




# ARRANGE hospitality tray TSAG4165

WITH ROOM FOR A KETTLE OR COFFEE MACHINE AND CUPS

- Made of high-quality MDF with strong Lacquer Finish
- Separate Removable Condiment Holder for Tea, Coffee, Sugar, and Waste, arranging condiment in a presentable way like never before
- Resistant to Stains and Scratches
- Water Resistant Lacquer Finish
- Arrange Tray can fit most of Roomwell kettles
- The cable can be fixed to the base of the tray to make it Anti-theft
- Recessed Cup and separate cutouts for Tea / Coffee Spoon
- The tray can be customized for MOQ of 300 and above.



Spoon holder

Tea and coffee sachet



Arrange with Regent Kettle



Arrange with Olympia Kettle



Arrange with Ecoline Kettle

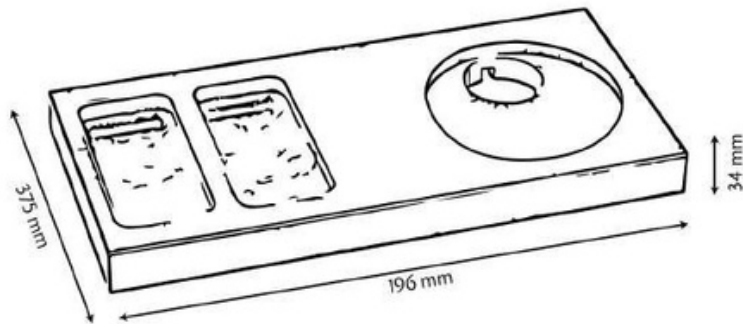




## MERLYN hospitality tray<sup>WT3221</sup>

ALL TOGETHER ON THE STYLISHLY DESIGNED TRAY!

- Made of high-quality MDF with strong lacquer treatment to minimize scratches and stains
- Anti-theft; Base of the kettle is integrated and cable can be fixed to the tray
- Several indentations for sachets and spoons
- Easy to clean and handle for housekeeping
- Fit to Roomwell Regent, Ecoline, Nova, and Olympia Kettles
- Available in Natural Beech and Brown color



Merlyn with Nova White Kettle



Merlyn with Ecoline Kettle



Merlyn with Nova Black Kettle

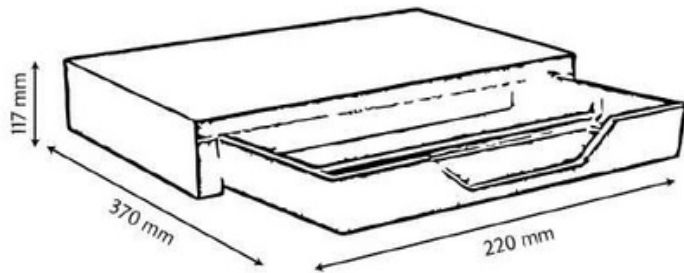


Merlyn with Ecoline Kettle

## SPACESAVER PLUS hospitality tray TSAG4165

MOST COMPACT TRAY WITH ENOUGH SPACE TO FIT WATER KETTLE, COFFEE CUPS, TEA BAGS, AND SUGAR/MILK

- Made of high-quality MDF with lacquer treatment to minimize scratches and stains
- Design is compact enough to fit even the smallest hotel rooms
- Water-resistant lacquered finish with hygienic consumables drawer
- Consumables Drawer with several indentations for sachet and spoon
- The drawer is made from food-grade, high quality melamine
- Fits to almost all Roomwell kettles
- Available in Brown color



Spacesaver Plus with Ecoline Kettle



Spacesaver Plus with Regent Kettle



Spacesaver Plus with Nova Kettle

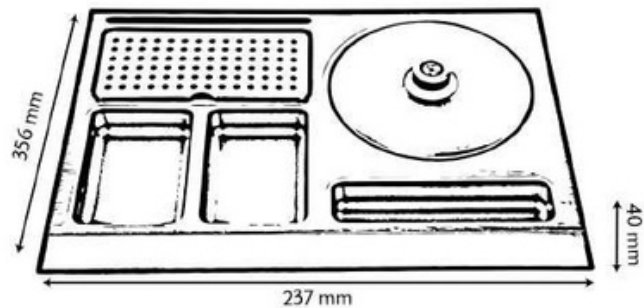




## SPACESAVER hospitality tray MTSS4113

COMPACT YET DURABLE HEAT-RESISTANT ABS WELCOME TRAY

- Made of strong Food Grade ABS Material
- Anti-theft, Kettle base can be fixed with the tray
- Removable Stainless Steel drip tray for used tea bags and spoons
- 2 Big Non-Removable compartments for the presentation of condiments
- Water Resistant and easy to clean
- Fit to Roomwell Regent, Ecoline, Nova, and Olympia Kettles
- Compact And Durable



Spacesaver with Regent Kettle

Spacesaver with Olympia Kettle



Spacesaver with Ecoline Kettle



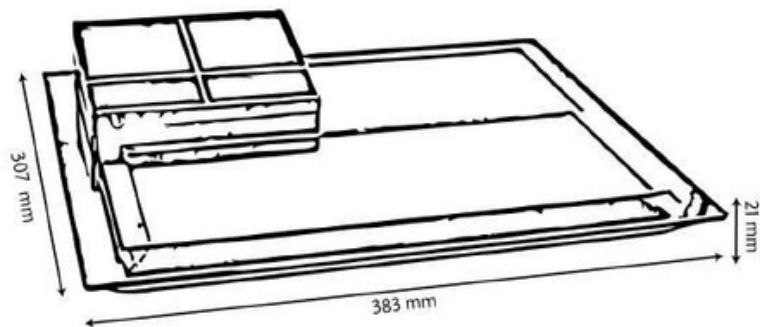




# SPACIOUS hospitality tray TSSS4113M

ELEGANT AND DURABLE MELAMINE, EASY TO CLEAN CONSTRUCTION

- Made of 3pcs tray set; base tray, serving tray, and condiment holder
- Manufactured from 100% food safe, high-quality melamine
- Resistant to color fade, scratching, and chipping
- Easy to clean and handle



#### Dimensions:

Base Tray (W x D x H)mm : 307 x 383 x 21 mm

Service Tray (W x D x H)mm : 129 x 320 x 110 mm

Condiment Holder (W x D x H)mm : 116 x 152 x 44 mm



Spacious with Olympia Kettle



Spacious with Regent Kettle

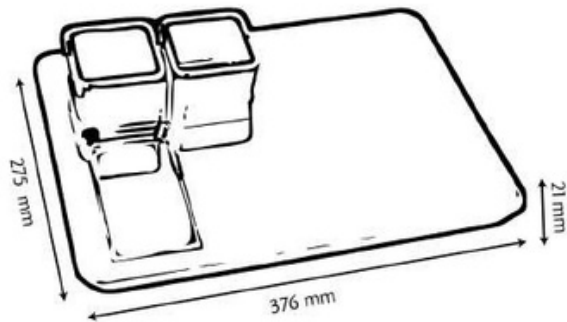


Spacious with Ecoline Kettle



# RETRO hospitality tray TTRE9002

ADD SOME STYLE TO YOUR GUEST ROOMS, WITH OUR EASY TO CLEAN RETRO WELCOME TRAY



- Made of 3pcs tray set, manufactured from 100% food-grade high-quality melamine.
- Water-resistant lacquered finish
- Sturdy and Durable
- Fits all the Roomwell Kettles
- Easy to handle and clean
- Wide platform to accommodate other accessory items
- Available in Stylish black color

#### Dimensions:

Tray (W x D x H)mm : 275 x 376 x 21 mm

Condiment Holder (W x D x H)mm : 78 x 78 x 60 mm



Retro with Retro Kettle



Retro with Regent Kettle



Retro with Nova Kettle



Condiment Holder



TELEPHONE



# HAIR DRYER

## CLASSIC WALL MOUNTED hair dryer HDWMCL4137B HDCL4137W

ANTI-THEFT HAIRDRYER WITH SHAVER SOCKET, TWO SPEED, AND THREE TEMPERATURE SETTING, OVER-HEATING CIRCUIT PROTECTION, SPIRAL CORD WITH GOOD FLEXIBILITY

- Specifically designed and engineered for use in hotel bathrooms
- Ultra-quiet, long-life motor, 1800W, super strong wind dries your hair in few minutes
- Wall-mounted design to save bathroom space
- 3 heat settings and 2 speeds, precisely meet the demands of all hairstyles: curly, straight, thin, or thick.
- The air inlet adopts ABS plastic material, anti-static, honeycomb design prevents hair and dust from being caught in the air
- Universal shaver socket – One 110V flat pin shaver socket / One 220V flat and round pin shaver socket
- Constant temperature protection for quick drying and hair protection
- Overheating Safety Protection – The built-in thermostat of the hairdryer will automatically shut-off when the temperature is too high, and will automatically recover after cooling
- A spiral cord with good flexibility
- CE, CB, RoHS & GS approved



HDCL4137W

Power On / Off



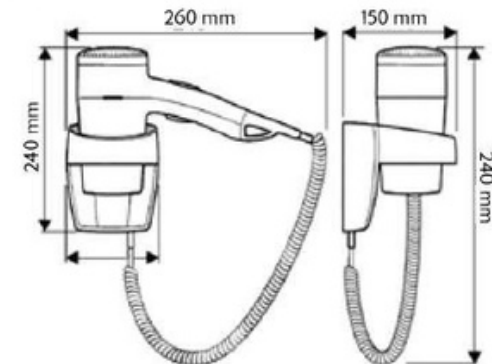
HDWMCL4137B

1800W

3 heat settings  
& 2 speeds

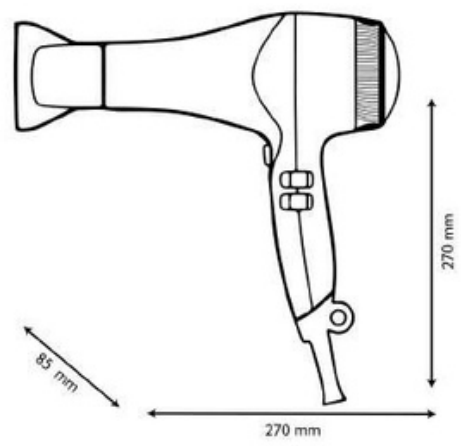


Anti-Theft hair dryer  
with shaver socket



# FIJI FOLDABLE hair dryer HDJE5677

COMBINES HIGH PERFORMANCE OF 2100W & IONIC FUNCTION WITH ERGONOMIC & LIGHT WEIGHT DESIGN



- 3 heat settings and 2 speeds, precisely meet the demands of all hairstyles: curly, straight, thin, or thick.
- Ultra-quiet, long-life motor, 1800W-2100W, super strong wind dries your hair in few minutes
- Over-heating Safety Protection – The built-in thermostat of the hair dryer will automatically shut-off when the temperature is too high, and will automatically recover after cooling
- 90° Folding handle for compact storage makes it easy to store
- Cool Shot – Perfect Styling results with a slim styling nozzle & cool shot button
- Ionic Function – Hairdryer with Negative Ionic Technology, emitting massive negative ions to eliminate frizz makes hair moister, smoother, protect hair from dull or damaged
- Easy to clean, removable rear filter
- Hanging loop for tidy storage
- A spiral cord with good flexibility
- CE, CB, RoHS & GS approved

**2100W**

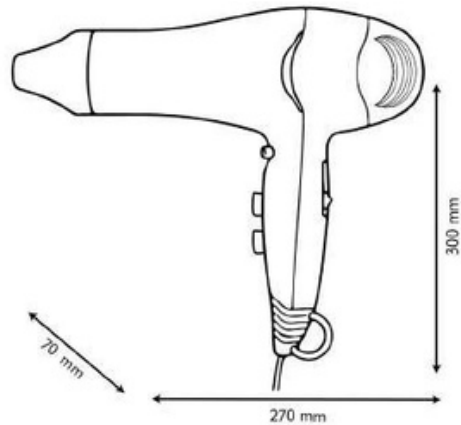


Foldable Hairdryer



# JERSEY hair dryer HDJE5677

A UNIQUE SENSOR THAT AUTOMATICALLY BLOWS WHEN YOU HOLD THE HAIRDRYER AND AUTOMATICALLY STOPS WHEN YOU RELEASE IT



- Energy-saving hairdryer with touch sensor technology- the hairdryer switches on and off automatically when touched for one-handed operation.
- 3 heat settings and 2 speeds, precisely meet the demands of all hairstyles: Curly, Straight, thin, or thick.
- Ultra-quiet, long-life motor, 1800W – 2000W super strong wind makes your hair dry in a few minutes
- Over-heating Safety Protection – The built-in thermostat of the hair dryer will automatically shut-off when the temperature is too high, and will automatically recover after cooling
- Cool Shot – Perfect Styling results with a slim styling removable nozzle & cool shot button
- Easy to clean, removable rear filter
- Hanging loop for tidy storage
- A spiral cord with good flexibility
- CE, CB, RoHS & GS approved









# IRONING STATION

# XPRESS STEAM PLUS 2400W iron EIXSP4124

DOUBLE CERAMIC SOLEPLATE IRON WITH A PRECISION TIP, SMOOTH GLIDE IRON WITH DURABLE SOLEPLATE, CONTINUOUS STEAM, TRIPLE CLEANING FUNCTION

- Extremely powerful Steam Iron with 2000- 2400W (MAX) power, allows the electric iron to generate steam in less than 15 seconds
- Innovative Non-Stick Double Ceramic Soleplate glides through even the toughest creases with minimum effort
- Anti-drip to keep the Linen spotless when ironing and other delicate fabrics at low temperature
- Precise 5-Step Temperature Controller, characterized by the type of fabric; supports the ironing of a variety of fabrics such as wool, silk, linen, cotton, etc.
- Triple Cleaning Function – 1. Self-Cleaning 2. Anti-Drip 3. Anti-lime. The Self-Cleaning function prevents limescale deposits. Built-in anti-drip system prevents leakage. The anti-limescale system maintains performance. The base plate is not calcified which increases the service life of the iron
- The Auto Shut off feature turns off the iron after 30 seconds of being left unattended horizontally or 8 minutes vertically, which gives you peace of mind
- A generous capacity of 300 ml
- Continuous steam output of up to 50 g/min provides the ideal constant amount of steam to efficiently remove all creases
- Flexible 360 Degree Swivel Cord Guard
- CE, CB, RoHS & GS approved



Easy steam finger release button



Adjustable Thermostat Control



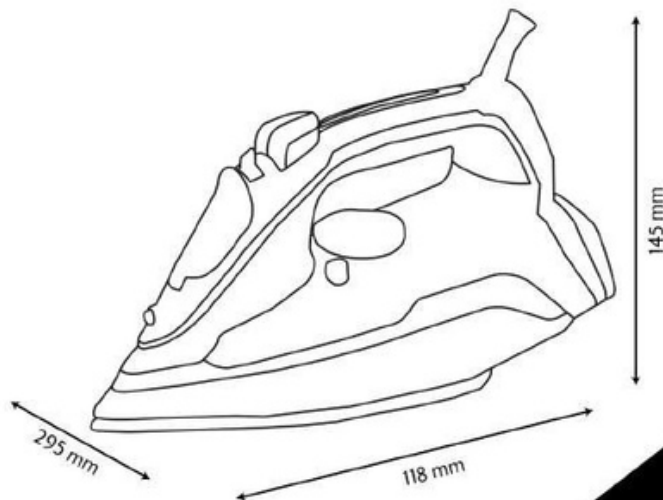
Burst of steam & spray vertical & horizontal



300ml easy fill tank



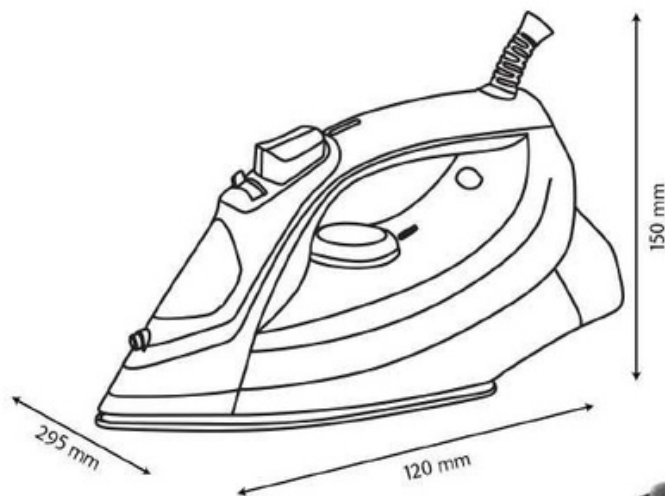
Voltage & Frequency  
220-240V / 50-60Hz



# XPRESS STEAM 2000W iron<sub>EX4100</sub>

IMPRESSIVE STEAM CAPABILITIES ALONG WITH AUTO SHUTOFF & SELF-CLEANING FEATURES

- Xpress Steam 2000 - 2400W Iron
- Powerful Steam Iron with auto steam control produces 50 g of continuous steam and 200 g steam boost for deep creases
- Auto Shut-off – The iron turns itself off if you leave it standing still. On its heel rest, it will automatically switch off in 8 minutes. Lying flat, it shuts down after 30 seconds of being motionless
- The iron features a Ceramic Soleplate which is durable, scratch-resistant, and heats up evenly offering a very smooth glide, for quick and effortless ironing
- The anti-drip feature means no leakage when steam ironing. Water won't drip onto your clothes as you iron and get your items wet or water-stained
- The self-clean feature helps to prevent the build-up of limescale
- A generous capacity of 280 ml water tank that allows plenty of ironing before you need to top it up
- CE, CB, RoHS & GS approved



Easy steam finger release button



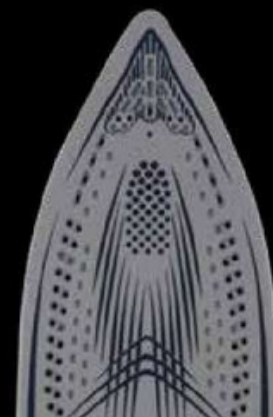
Adjustable Thermostat Control



Burst of steam & spray vertical & horizontal



280ml easy fill tank



# RETRACT ironing board IBRE 8154

UNIQUE FREESTANDING IRONING BOARD WITH RETRACTABLE IRON REST TO MAINTAIN EXTRA STORAGE.

- Featuring a sturdy welded frame with a heavy gauge mesh top
- Made with tubular steel powder-coated black finish
- The retractable iron rest can be slid under the ironing board when not in use to maintain extra storage space at the hotel wardrobe
- Heavy-duty metallic flame retardant ironing board cover with 100% cotton surface layer
- Thick fibre pad of 10 mm for easy ironing
- The cover has heavy-duty velcro straps that give you a secure, non-slip fit
- Secure fold-up safety lock
- Legs have the non-slip end cap to ensure it doesn't slip and slide when pressing garments
- Height adjustment from 62cm to 89cm (7 positions) to suit different persons
- Foldable, save space when not in use.
- Retractable and heat resistant iron rest



Sold Separately



Iron Board Cover



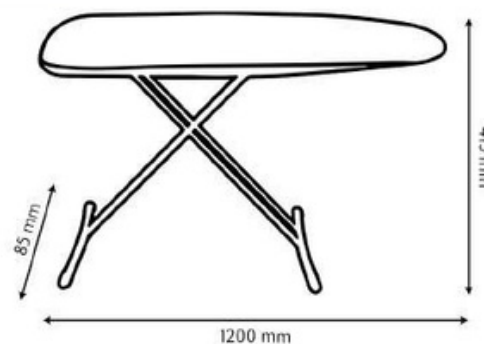
Classic Iron Holder



# PRESTIGE ironing board IBPS8155

POWDER-COATED BLACK FINISH WITH A THICK FIBRE PAD OF 8MM FOR EASY IRONING, FITTED WITH STEEL HOOKS FOR HANGING IRONING BOARD DIRECTLY INTO THE WARDROBE

- Large and tough, top of the line board
- Made with tubular steel powder-coated black finish
- Featuring a sturdy welded frame with a heavy gauge mesh top
- Flame retardant metallic iron board cover
- The cover has elasticized edges, and the heavy-duty Velcro straps give you a secure, non-slip fit
- The cover has elasticized edges and heavy-duty velcro straps give you a secure, non-slip
- Height adjustment of up to 85cm
- Anti-theft/ iron cable secured to the board through prestige iron holder (sold separately)
- Fits to Roomwell classic and prestige ironing holder



Iron Board Cover



Sold Separately

Prestige Iron Holder







# ALARM CLOCK

# WAKE & PLAY alarm clock AC4128

PERFECT FOR YOUR GUEST'S BEDSIDE TABLE: THE WAKE & PLAY ALARM CLOCK HAS FM RADIO WITH SMART SPEAKERPHONE AND USB CHARGING

- With absolute simplicity and clear indicators, this wake and play digital clock is simple and easy to operate for your guests
- Connect any Bluetooth enabled phone, PC, or tablet to the wake & play for seamless wireless connectivity
- Outstanding Sound Quality – The Dual speaker system provides great sound for your music streaming and FM radio
- With dual alarms function, you can set wake-up alarm clock separately or dually for you and your partner
- Two built-in USB ports at the front allow you to charge two devices at the same time
- FM – Easily pre-set your favorite FM radio stations or connect your device via Bluetooth or aux cable
- Large LCD Display – No need to put your glasses on to read the time! You can see it from anywhere in the room
- The alarm clock has 3 adjustable brightness (low-medium-bright), the digital clock is clear to see the time based on your preference

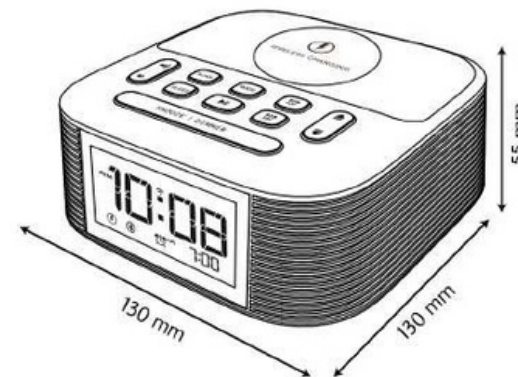




# VYRO WIRELESS alarm clock WLB4695

ALL-IN-ONE ALARM CLOCK WITH WIRELESS FAST CHARGING, SMART SPEAKER, BLUETOOTH, FM, USB CHARGING, AND MORE

- Hassle-free wireless fast charging: Built-in wireless charger Powered by Qi-Technology.
- Simply place your Qi Wireless Charging Compatible phone on top of the clock and it will start charging automatically
- A built-in USB charging port on the back of the device for charging any USB devices via cable
- Comfort in sound – The twin speakers of this Vyro clock produce room-filling stereo sound from this compact unit. Audio is delivered via full-range stereo drivers
- FM – Easily Pre-Set your favorite FM radio stations or connect your device via Bluetooth or aux cable
- Bluetooth – Connect your device to Vyro using the ultra-stable Bluetooth connection for skip-free streaming of music, podcasts, and more
- With dual alarms function, you can set wake-up alarm clock separately or dually for you and your partner
- Large LCD Display – No need to put your glasses on to read the time! You can see it from anywhere in the room
- Adjustable Brightness – With a simple touch of a button, LED backlight and LCD brightness can be adjusted into 3 different levels (Min, Medium, Max)



# MILAN WIRELESS alarm clock MWI4400

OUR LUXURIOUS, FIVE-STAR HOTEL ALL IN-ONE ALARM CLOCK WITH WIRELESS FAST CHARGING, SMART SPEAKER, BLUETOOTH, FM, USB CHARGING, AND MORE

- Hassle-free wireless fast charging: Built-in wireless charger Powered by Qi-Technology.
- Simply place your Qi Wireless Charging Compatible phone on top of the clock and it will start charging automatically
- A built-in USB charging port on the back of the device for charging any USB devices via cable
- Comfort in sound – The twin speakers of this Milan Wireless Alarm Clock produce room-filling stereo sound from this compact unit. Audio is delivered via full-range stereo drivers
- FM – Easily Pre-Set your favorite FM radio stations or connect your device via Bluetooth or aux cable
- Bluetooth – Connect your device to Milan Wireless Alarm Clock using the ultra-stable Bluetooth connection for skip-free streaming of music, podcasts, and more
- With dual alarms function, you can set wake-up alarm clock separately or dually for you and your partner
- Large LCD Display – No need to put your glasses on to read the time! You can see it from anywhere in the room
- Adjustable Brightness – With a simple touch of a button, LED backlight and LCD brightness can be adjusted into 3 different levels (Min, Medium, Max)





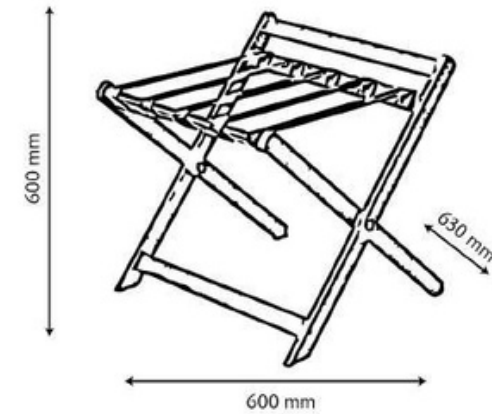


# LUGGAGE RACK

## CUBE luggage rack CUBE

HOLD YOUR GUEST'S SUITCASES AND DUFFEL BAGS WITH AN ATTRACTIVE WOOD FOLDING LUGGAGE RACKS

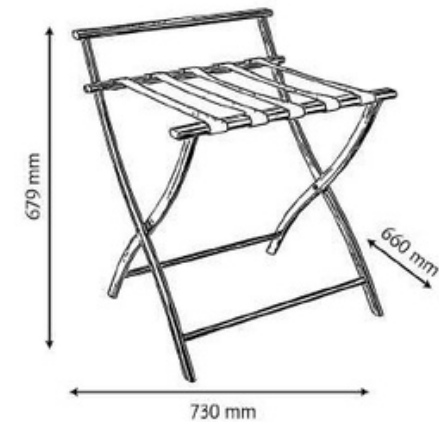
- Attractive Design – It's Elegant design will match any hotel or resort decor
- Constructed with durable yet flexible hinges that can hold even the heaviest suitcases or bags.
- 5 Strong leather straps
- Folds flat for convenient storage
- User-friendly & easy to clean
- Finished original color
- Open Size: 600 x 630 x 600 mm
- Material Size: 50 x 20 mm



## ELITE luggage rack LRME 3011

HELP YOUR HOTEL/MOTEL GUESTS UNPACK THEIR LUGGAGE WITH THIS DURA CHROME METAL LUGGAGE RACK

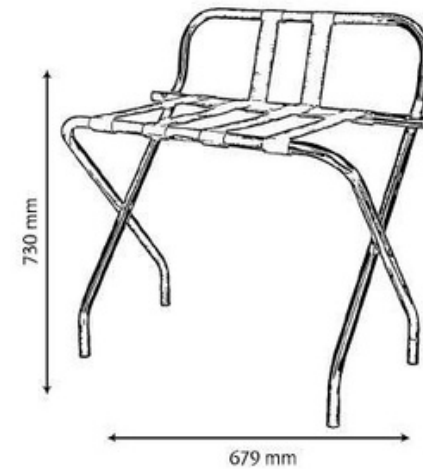
- Modern chrome finish & smooth curved edges for maximum visual appeal.
- Folds shut for efficient storage
- 4 Strong black fabric belts
- Rubber cap to protect your floor from scratches & scuffs
- Available in silver & black color



## DURA luggage rack LRMD 3011

HELP YOUR HOTEL GUESTS UNPACK THEIR LUGGAGE WITH OUR DURA CHROME METAL LUGGAGE RACK

- Modern chrome finish & smooth curved edges for maximum visual appeal.
- Folds shut for efficient storage.
- 4 Strong black fabric belts.
- Rubber cap to protect your floor from scratches & scuffs.
- Available in silver & Black color.









# ROOM BIN

# DUO AND TRIO SEPARATION room bin

DUO ROOM BIN FOR WASTE SEPARATION WITH PLASTIC 2-DIVIDERS, EACH 5L FOR PLASTIC AND PAPER

- Made of black powder-coated steel
- 2 Coloured, removable Inner liners, Green and Black
- Bin has an anti-scuff base
- Suitable for hotel bedroom, conference room, and reception area
- Capacity: 5L / Inner liner. 10L in total
- Size: 255mm diameter x Height 310 mm



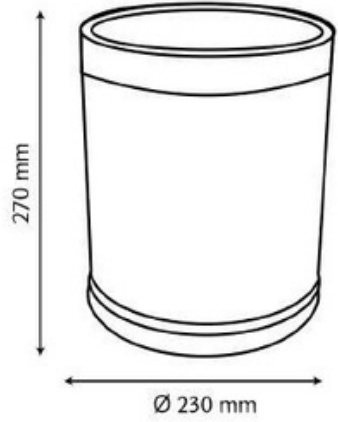
- Made of black powder-coated steel
- 3 Coloured, removable inner liners Blue, Green, and Black
- Bin has an anti-scuff base
- Suitable for hotel bedroom, conference room, and reception area
- Capacity: 3.3 Litre / Inner liner. 10l in total
- Size: 255mm diameter x Height 310 mm



# ROOM BIN room bin

A GOOD QUALITY FIRE RESISTANT HOTEL BEDROOM BIN WITH DOUBLE WALLS AND MADE OF STEEL BODY WITH 'LEATHER GRAIN' VINYL EXTERIOR

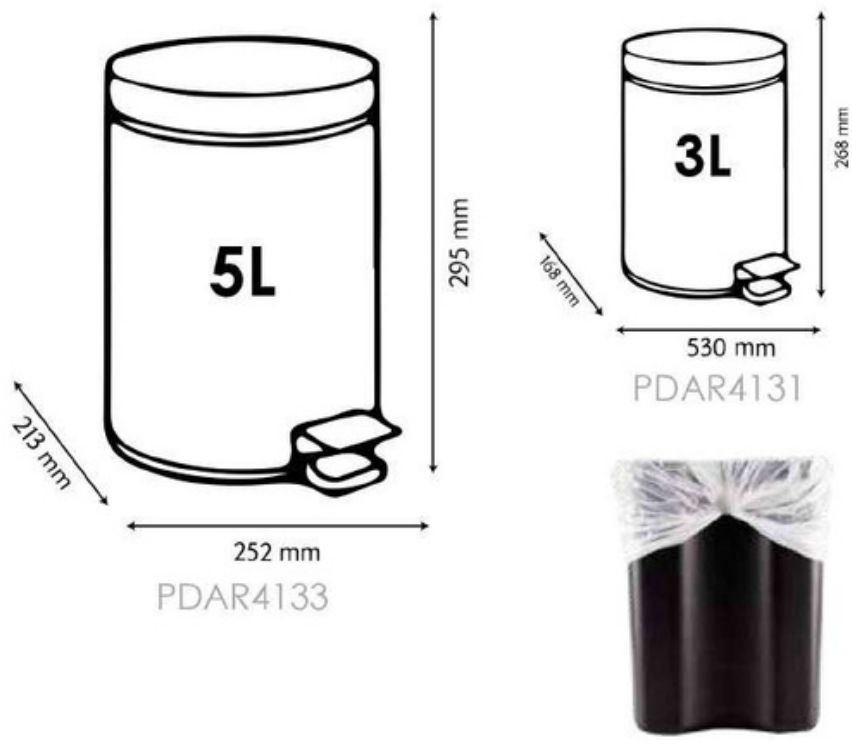
- 10 Litre Capacity
- Made of Steel Body with leather grain vinyl exterior
- Double Walls; The seamless outer bin simply slides over the inner bin and completely conceals the edge of the plastic bin liner
- Fire-resistant inner liner
- Bin has an anti-scuff base
- Suitable for hotel bedroom, conference room, and reception area
- Available in Black / Brown Vinyl Leather



# ACTION ROUND pedal bin PDAR4133

PREMIUM BRUSHED SILVER STAINLESS STEEL BODY THAT'S FINGERPRINT AND SMUDGE RESISTANT. MUCH LOVED ROUND/CYLINDER SHAPE

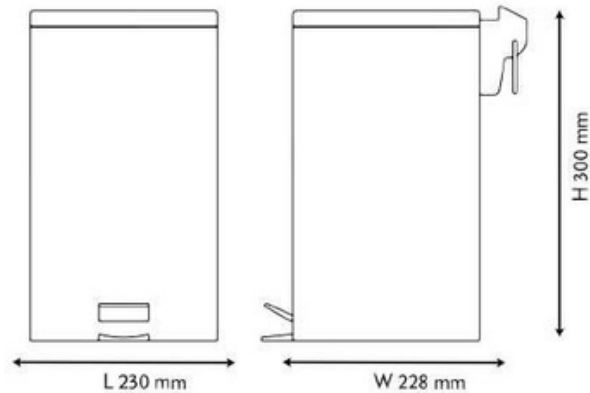
- Patented product
- Fingerprint resistant
- Soft-close mechanism
- Clever inner ring system: The bin liner is kept hidden for an attractive & discreet bin
- Easy cleaning
- Non-slip pedal surface
- Made up of eco-friendly air cylinder
- The wide foot contact surface
- Strong support & durable



## JUST SLIM pedal bin PDJS4132

SQUARE DESIGN FEATURES A SMART STAINLESS STEEL EXTERIOR AND TAKES UP MINIMUM FLOOR SPACE

- Patented product
- Fingerprint resistant
- Minimum floor space
- Touch-free opening of the lid
- Soft-close mechanism
- Clever inner ring system
- The bin liner is kept hidden for an attractive & discreet bin
- Easy cleaning
- Non-slip pedal surface
- Made up of eco-friendly air cylinder
- The wide foot contact surface
- Plastic liner for fixing garbage bag
- Flat cover
- Strong support & durable







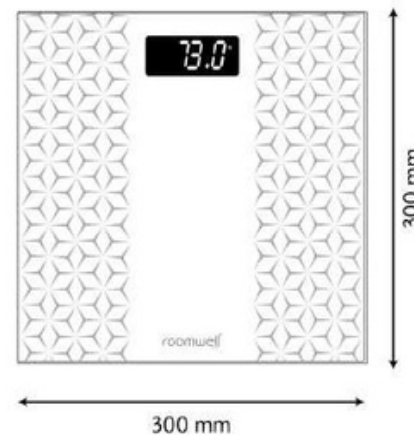
# BATHROOM SCALE

## SERENE DIGITAL ANTI-SLIP bathroom scale WSSE4136

SLEEK, ELEGANT DESIGN AND UNIQUE 3D EFFECT ON THE BATHROOM SCALE MAKES IT AN IMPRESSIVE ADDITION



- Serene anti-slip sleek, elegant & sturdy hotel bathroom scale
- Constructed from 6 mm tempered glass platform with unique 3D effect to create Non-Slip pattern
- 4 highly precise gauge sensors deliver results with a 100 gm accuracy resolution
- The large 3.2" back-lit display provides instant results; Easy to read even in bright daylight or dark rooms
- The scale is thin and lightweight with a modern and sharp design
- The digital scale delivers lightning-quick measurements with a 180 kg capacity
- Auto-calibrated – Just step on it and precise results are displayed on a backlit LCD screen
- This digital scale has an auto shut-off feature to save energy, low battery and overload indications to prolong its lifespan
- Anti-skid pads are incorporated into the base to prevent slipping or skidding during use

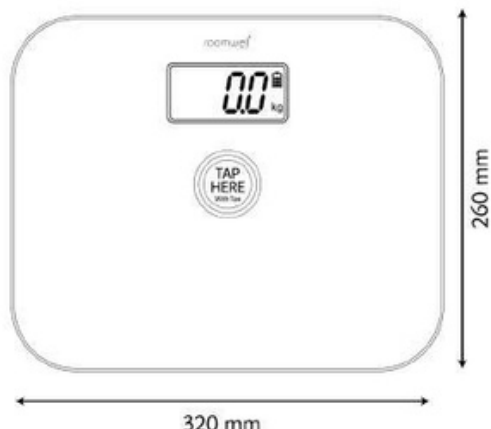




## BATTERY-FREE bathroom scale

ROOMWELL PRESENTS BATTERY-FREE BATHROOM SCALE – INTRODUCING THE WORLD'S LEADING AUTO-POWER GENERATION CONTROL SYSTEM; ABSOLUTELY ECO-FRIENDLY & HIGH PERFORMANCE WEIGHING SCALE."

- No batteries or charging required. Just one quick stamp on the button by your foot, transforms mechanical energy into power automatically
- Equipped with a 5mm non-slip tempered glass platform, rounded corners, and scratch-resistant feet
- 4 high precision German Strain Gauge sensors to get quick and accurate data
- Completely green and environment friendly
- Easy to read your weight on large LCD
- Auto shut-off, Auto-zero resetting, Low battery, and overload indication
- Provides instant weight readings up to 150 Kg or 330 lbs
- Auto-calibrated – Just step on it and precise results are displayed
- Anti-skid pads are incorporated into the base to prevent slipping or skidding during use



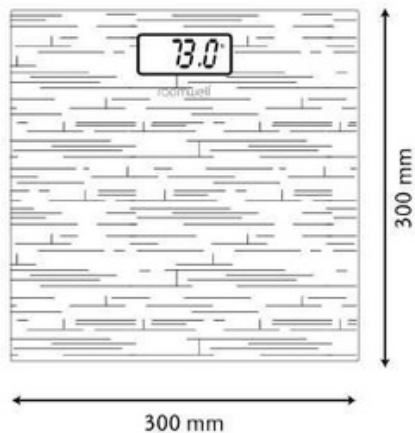
WSBF9546B

WSBF9546W

## SLIMLINE S/S bathroom scale WSSL4140

ULTRA SLIM STAINLESS STEEL PLATFORM - SLEEK AND CONTEMPORARY DESIGN. IT IS THE TRENDIEST GUEST BATHROOM ACCESSORY

- Provides a durable and sturdy surface for safe weight measurement
- The contemporary brushed metal finish is smudge-resistant and easy to clean
- 4 highly precise sensors provide accurate and stable readings
- Measures in increments of 0.2lb /0.1kg
- Large 3.2 inch LCD display
- Rust-resilient stainless steel platform
- Step and read, immediate readings as soon as you step on the weight scale
- Auto shut-off, auto-zero, Auto-calibration; low battery and overload indication
- Anti-skid pads are incorporated into the base to prevent slipping or skidding during use
- 2 x AAA GP batteries are required







# MIRRORS

# FLIP mirror MMFL 5120

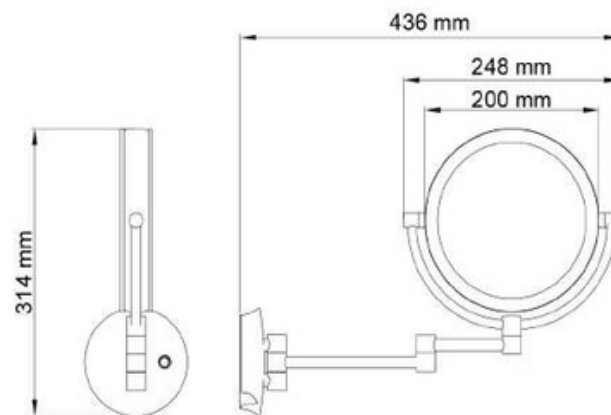
THE FLIP: DOUBLE-SIDED LED LIGHTED MAKEUP MIRROR WITH 1X/3X MAGNIFICATION IS PERFECT FOR TRUE VIEWING AND MAKEUP APPLICATION.

- Excellent quality with Stainless Steel material
- Touch switch
- Rust-free, anticorrosive, and durable
- 360-degree swivel design and can be adjusted to any angle you like.
- Double-sided mirror with 3x magnification.
- All metal construction with a polished chrome surface
- LED bulbs last the entire lifetime of the mirror
- Easy to install, and comes with complete screw fixings
- The elegant design would be suitable for family, hotel, bathroom, etc.



## COLOUR

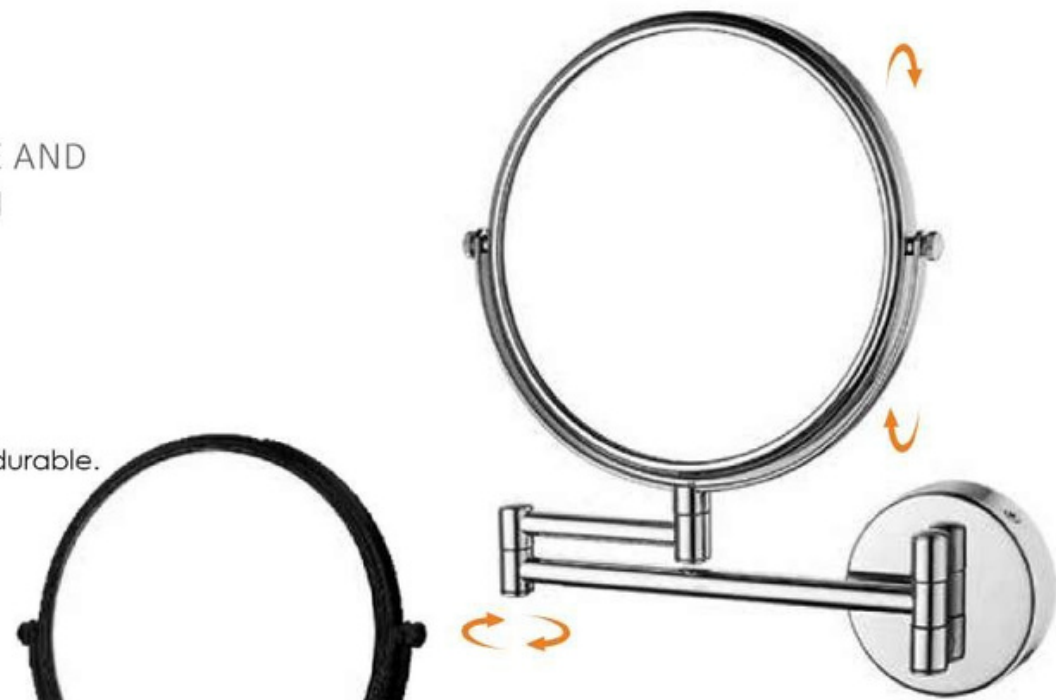
- Chrome-plating
- Brushed gold
- Matt black



# RONDO mirror MMRO 5120

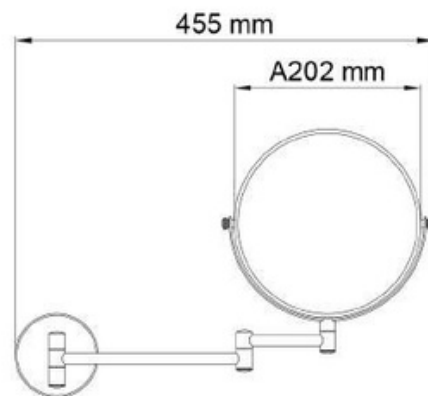
TWO-SIDED VANITY CIRCULAR MIRROR: WITH A NORMAL SIDE AND MAGNIFYING SIDE, THIS RONDO WALL MOUNTED BATHROOM MAGNIFYING MIRROR IS IDEAL FOR BUDGET HOTELS

- A round base and mirror surface, mirror diameter is 8 inches / 20 cm.
- Double-sided mirror with 3x magnification.
- 360 degree swivel design and can be adjusted to any angle you like.
- Excellent quality with Stainless Steel material, rust-free, anticorrosive, and durable.
- All metal construction with a polished chrome surface.
- Easy to install, and comes with complete screw fixings.
- The elegant design would be suitable for the hotel, bathroom, etc.
- Ideal for make-up, dress-up, shaving, etc.



#### COLOUR

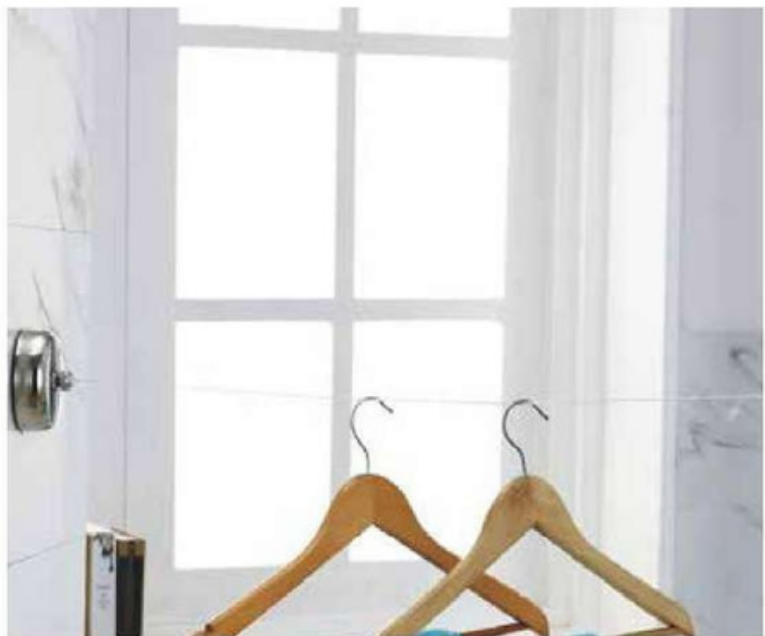
- Chrome-plating
- Brushed gold
- Matt black



17 mm







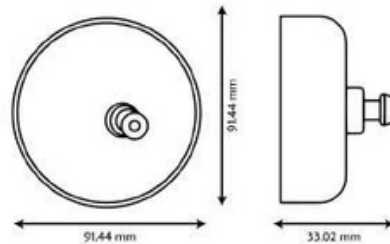
# ACCESSORIES



# CLOTH LINE accessories CL1001

THIS RETRACTABLE INDOOR CLOTHESLINE IS MADE OF HIGH-QUALITY 304 STAINLESS STEEL AND A BRAIDED NYLON LINE. A GREAT ADDITION TO HOTELS AND RESIDENCES.

- Adjustable stainless-steel laundry line can extend to 9.2 ft / 2.8 m. The lock button can be used to lock at any length within 9.2 ft.
- Polished Chrome Finish makes the item rust-free and corrosion free.
- Holds a maximum weight of 22 lbs when mounted.
- Widely used for hanging wet bathing suits, baby clothes, and delicates that can't be machine dried.

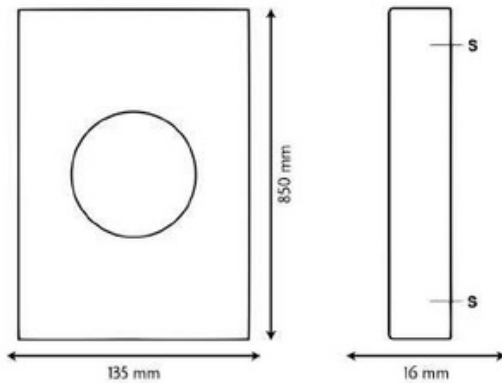




## SANITARY BAG DISPENSER accessories SH1001

FASHIONABLE MIRROR DESIGN TO DISPENSE SANITARY DISPOSAL BAGS SMOOTHLY

- 304 Stainless steel
- Ultra-compact – Requires minimum space
- Polished finish
- Features a hinged lid







**ELEGANCE HOSPITALITY**

+966 56 675 9595

[sales@elegroup.co](mailto:sales@elegroup.co)

[commercial@elegroup.co](mailto:commercial@elegroup.co)

[www.elegroup.co](http://www.elegroup.co)